

ASSEMBLY INSTRUCTIONS

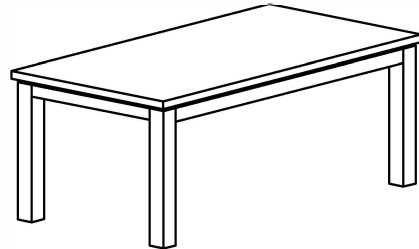
N19 #Rev:1.0

READ INSTRUCTIONS CAREFULLY AND REMOVE ALL PARTS FROM THE CARTON.
SEE HARDWARE AND PARTS LIST FOR GUIDANCE.

BE SURE YOU HAVE ALL PARTS BEFORE YOU START ASSEMBLY.
PLACE ALL WOODEN PARTS ON A CLEAN AND FLAT SOFT SURFACE.

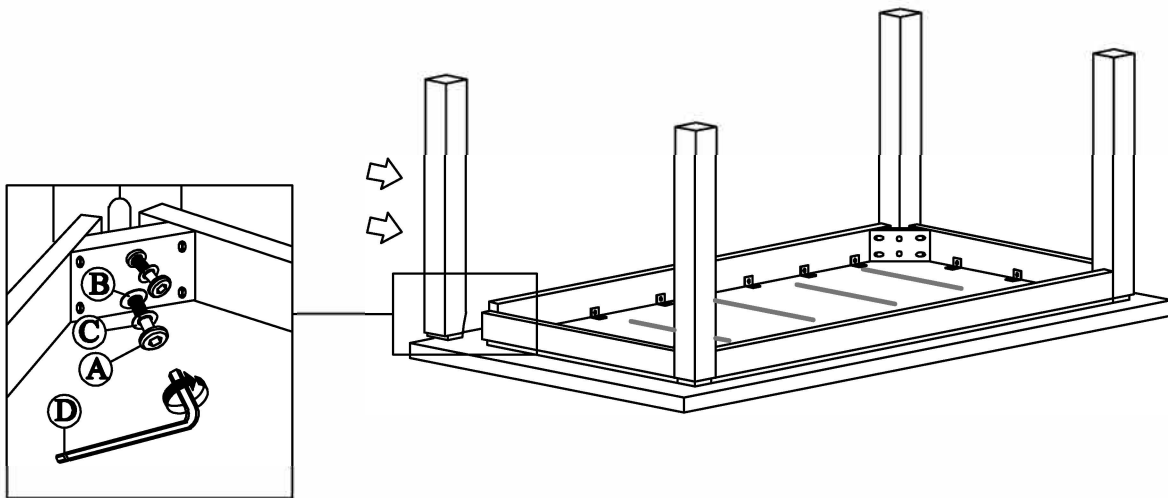
MODEL : MARCEL ~ DINING TABLE (L)
DINING TABLE (S)
SQUARE TABLE

ITEM	HARDWARE LIST	QTY.
A.	JCBB BOLT M8 x 60MM 	8
B.	FLAT WASHER 22mm 	8
C.	SPRING WASHER 5/16" 	8
D.	ALLEN KEY M5 x 100MM 	1



*CAUTIONS : KEEP ALL HARDWARE PARTS OUT OF REACH OF CHILDREN.

STEP 1



STEP 2

